

THC-T110-P 1 MP EXIR Turret Camera



Key Features

- 1 MP high-performance CMOS
- 1280 × 720 resolution
- 2.8 mm, 3.6 mm, 6 mm fixed focal lens
- Day/Night switch
- EXIR 2.0, smart IR, up to 20 m IR distance
- 4 in 1 video output (switchable TVI/AHD/CVI/CVBS)
- Switchable TVI/AHD/CVI/CVBS

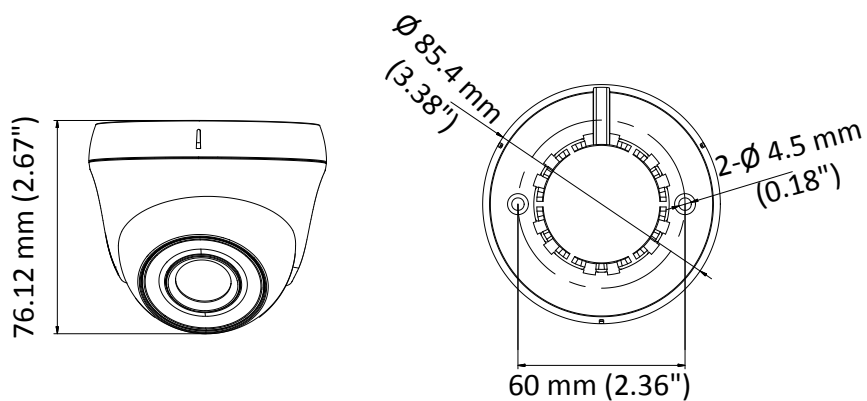
Specifications

| Camera | |
|--------------------------|--|
| Image Sensor | 1 MP CMOS image sensor |
| Signal System | PAL/NTSC |
| Effective Pixels | 1280 (H) × 720 (V) |
| Min. Illumination | 0.01 Lux@(F1.2, AGC ON), 0 Lux with IR |
| Shutter Time | 1/25 (1/30) s to 1/50,000 s |
| Lens | 2.8 mm, 3.6 mm, 6 mm |
| Horizontal Field of View | 92° (2.8 mm), 70.9° (3.6 mm), 56.7° (6 mm) |
| Lens Mount | M12 |
| Day & Night | IR cut filter |
| Angle Adjustment | Pan: 0° to 360°, Tilt: 0° to 75°, Rotation: 0° to 360° |
| Synchronization | Internal synchronization |
| Video Frame Rate | PAL: 720p@25fps NTSC: 720p@30fps |
| Menu | |
| AGC | High/Middle/Low/Off |
| D/N Mode | Smart/Color/BW (Black and White) |
| BLC | Support |
| DWDR | Support |
| Language | English, Chinese |
| Functions | Sharpness, Contrast, Color Gain, DNR |
| Interface | |
| Video Output | 1 HD analog output |
| Switch Button | TVI/AHD/CVI/CVBS |
| General | |
| Operating Conditions | -40 °C to 60 °C (-40 °F to 140 °F), Humidity: 90% or less (non-condensation) |
| Power Supply | 12 VDC ±15% |
| Power Consumption | Max. 4 W |
| Material | Plastic |
| IR Range | Up to 20 m |
| Dimensions | ∅ 85.4 mm × 76.12 mm (∅ 3.38" × 2.67") |
| Weight | 130 g (0.29 lb.) |

Order Model

THC-T110

Dimension



Accessories



DS-1272ZJ-110-TRS
Wall Mounting Bracket



DS-1275ZJ
Vertical Pole Mounting Bracket



DS-1H18
Video Balun



DS-1280ZJ-XS
Junction Box



DS-1H18
Video Balun