

THC-B150-M 5 MP Fixed Mini Bullet Camera



- High quality imaging with 5 MP, 2560 × 1944 resolution
- 2.8 mm and 3.6 mm fixed focal lens
- Up to 20 m IR distance for bright night imaging
- One port for four switchable signals (TVI/AHD/CVI/CVBS)
- Water and dust resistant (IP66)

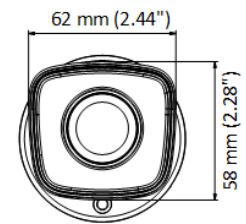
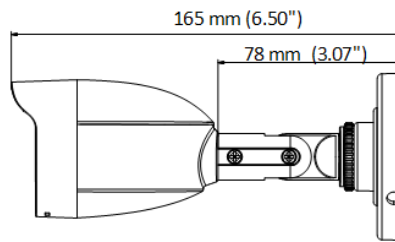
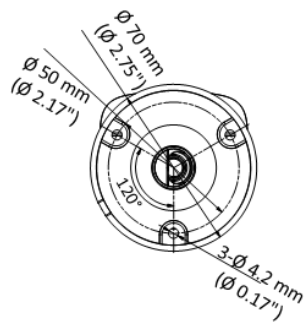
▪ Specification

Camera	
Image Sensor	5 MP CMOS
Max. Resolution	2560 (H) × 1944 (V)
Min. Illumination	Color: 0.01 Lux @ (F2.0, AGC ON), 0 Lux with IR
Shutter Time	PAL: 1/25 s to 1/50, 000 s NTSC: 1/30 s to 1/50, 000 s
Day & Night	ICR
Angle Adjustment	Pan: 0 to 360°, Tilt: 0 to 180°, Rotation 0 to 360°
Signal System	PAL/NTSC
Lens	
Lens Type	2.8 mm and 3.6 mm fixed focal lens
Focal Length & FOV	2.8 mm, horizontal FOV: 85°, vertical FOV: 63°, diagonal FOV:110° 3.6 mm, horizontal FOV: 80°, vertical FOV: 63°, diagonal FOV:105°
Lens Mount	M12
Image	
Image Parameters Switch	STD/HIGH-SAT
Image Settings	Brightness, Sharpness, Mirror, Smart IR, AGC
Frame Rate	TVI: 5 M @ 20 fps, 4 M @ 30 fps, 4 M @ 25 fps, 1080p @ 30 fps, 1080p @ 25 fps AHD: 5 M @ 20 fps, 4 M @ 30 fps, 4 M @ 25 fps CVI: 4 M @ 30 fps, 4 M @ 25 fps CVBS: PAL/NTSC
Day/Night Mode	Auto/Color/BW (Black and White)
Wide Dynamic Range (WDR)	Digital WDR
Image Enhancement	BLC, HLC
White Balance	ATW/MANUAL
Interface	
Video Output	1 HD analog output
General	
Material	Metal
Dimension	165 mm × 62 mm × 58 mm (6.50" × 2.44" ×2.28")
Weight	Approx. 230 g (0.51 lb.)
Operating Condition	-40 °C to 60 °C (-40 °F to 140 °F), humidity: 90% or less (non-condensation)
Communication	HIKVISION-C
Language	English
Power Supply	12 VDC ±25%
Consumption	Max. 4.3 W
IR Range	Up to 20 m
Approval	
Protection	IP66

▪ Available Model

THC-B150-M

▪ Dimension



▪ Accessory

▪ Optional

DS-1280ZJ-XS Junction Box

